

TRX TRx210N Dual 10-inch 2-Way Main

Features

- ◆ Powerful and Compact Trapezoid design
- ◆ Use Vertical or Horizontal flying
- ◆ Passive full range or Bi-amp crossover
- ◆ Heavy-Duty Neodymium 10-inch Woofer 2.5-inch VC
- ◆ Titanium 1-inch exit, 1.75-inch VC, HF driver
- ◆ Black DuraTex™ weather resistant finish

Application

The **TRx210N** is a Mid/High range sound reinforcement top cabinet. The 10-inch woofers provide plenty of Mid low-end to handle all frequencies down to the subs. Couple the **TRx210N** with a **TRx118N**, for an extended low-end front of house system. Effective for both permanent and portable applications, it comes with handles, rubber footpads, and a 1-3/8-inch pole mount cup.

Applications include:

- ◆ Club system
- ◆ House of Worship
- ◆ Band PA

Description

The TRx210N is a trapezoidal, 2-way multi purpose Main enclosure. The trapezoidal design and 60x40 HF horn allows multiple cabinets to work together. The high power, light-weight Neodymium dual 10-inch woofers features a 2.5-inch voice coils with a low heat high peak power capacity design that provides all the punch and definition necessary. The slim vertical design makes the TRx210N an ideal horizontally mounted main for low ceiling installs. The system provides 12 fly points for overhead suspension. The enclosure is constructed of CNC machined 13-Ply Premium Russian Baltic Birch with heavy gauge steel powder coated front grills. The crossover includes 4 pin NL4 Speakon connectors mounted on FR4 double sided circuit boards for solid construction and durability. Carvin's exclusive Speaker Guard™ HF Driver protection uses a self resetting relay circuit to dim the HF driver 10 dB protecting the voice coil from excessive power. The benefits are the driver is not turned off losing all the high frequencies, the circuit resets as soon as the high frequency content is back to normal levels.

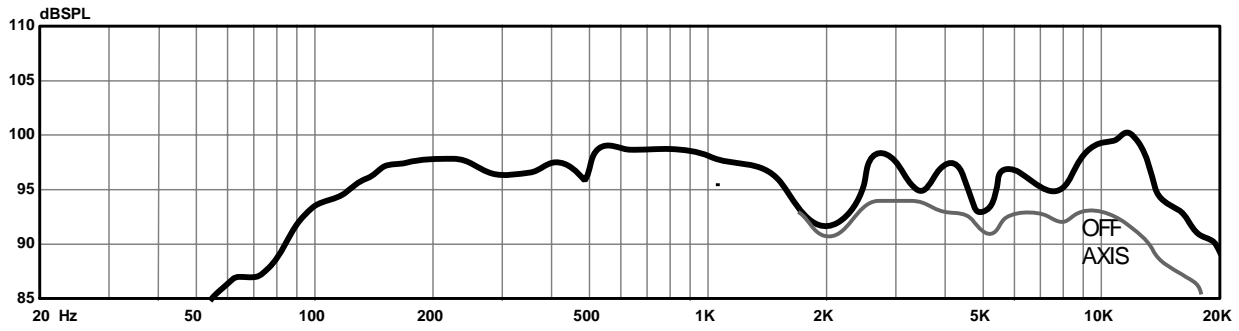


Specifications TRx210N

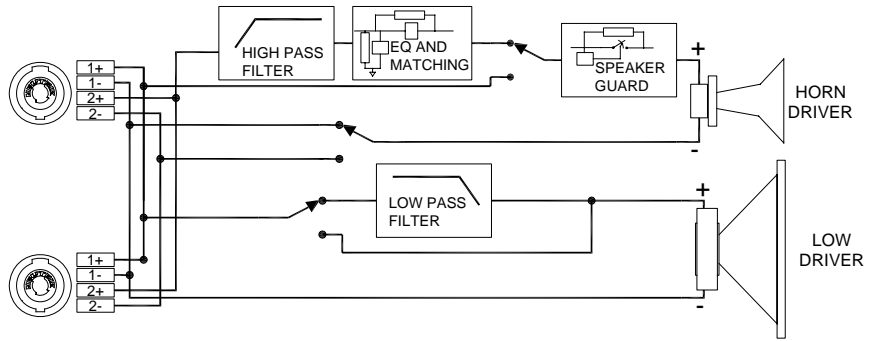
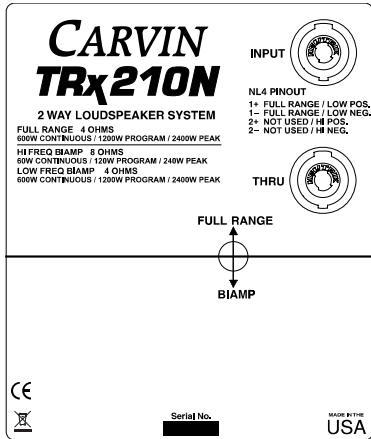
| | |
|--------------------------------------|--|
| System Type: | Dual 10-inch 2-Way, sealed |
| Frequency Response: | 60 Hz – 20 kHz (-10dB) 90 Hz – 16 kHz (-3 dB) |
| Coverage Pattern: | 60H x 40V |
| Crossover: | 2-Way with Speaker Guard™ HF protection |
| Crossover Frequency: | 2.5 k Hz |
| Power: | Continuous / Program / Peak |
| Full Range | 600w /1200w /2400w |
| Recommended Amplifier Power: | 800 – 1600w |
| Sensitivity (1w @ 1m): | 97dB |
| Maximum SPL: | 124dB Cont/ 130dB Peak |
| LF Driver: | 2x 10-inch Neodymium 2.6-inch VC |
| HF Driver: | 1-inch exit Neodymium 1.75-inch VC |
| Nominal Impedance full range: | 4 ohms |
| Bi-amp LF: | 4 ohms 600w /1200w /2400w |
| Bi-amp HF: | 8 ohms 60w /120w /240w |
| Enclosure: | 13-Ply Premium Russian Baltic Birch |
| Suspension/Mounting: | 1-3/8-inch pole mount cup 12 captive 3/8in –16 nut fly points |
| Finish: | Black DuraTex™ |
| Transport: | 2 Recessed Handles |
| Grill: | Black powder coated steel Acoustically Transparent Foam Backing |
| Connectors: | Two NL-4 Neutrik Speakon's |
| Dimensions (H x W x D): | 31-3/8 in x 13 in x 13-3/4 in 797 mm x 330 mm x 350 mm |
| Net Wt: | 43 lb (20 kg) |
| Rigging Accessories: | TCSHK10 3/8-16 Eyebolt TCSHK15 3/8-16 Quicklink™ |

CARVIN

Frequency Response



TRx210N Rear Plate



Dimensions

