

TRx TRx12N 12-inch Coaxial 2-Way Monitor

Features

- ◆ Very Compact Low Profile monitor design
- ◆ 30degree near field monitor tilt
- ◆ Passive full range or Bi-amp crossover
- ◆ Heavy-Duty 12-inch Woofer 3-inch VC
- ◆ Neodymium 1-inch exit 1.5-inch VC HF driver
- ◆ Black DuraTex™ weather resistant finish

Application

The TRx12N is a full range sound reinforcement monitor and pole mounted mains enclosure. The 12-inch woofer and 1-inch exit horn driver provides crystal clear vocal reproduction and plenty of low-end to handle most monitoring needs. The 30 degree tilt is idea for near field monitoring. Effective for both permanent and portable applications, it comes with handles, rubber footpads, and a 1-3/8-inch pole mount cup.

Applications include:

- ◆ Small House Monitor system
- ◆ Small House of Worship
- ◆ Band PA Monitors

Description

The TRx12N's unique 12-inch coaxial driver provides on axis alignment in a small package. With the Neo horn driver mounted to the back of the 12-inch woofer, all the sound comes from the same source—providing smooth reproduction both on and off axis. The compact, 30-degree tilt design fits in tight spaces for installations on the stage or as the main system using the pole mount. There is no monitor that offers the performance to size ratio that the TRx12N provides. The enclosure is constructed of CNC machined 13-Ply Premium Russian Baltic Birch with heavy gauge steel powder coated front grills. The crossover includes 4 pin NL4 Speakon and ¼" phone connectors mounted on FR4 double sided circuit boards for solid construction and durability. Carvin's exclusive Speaker Guard™ HF Driver protection uses a self resetting relay circuit to dim the HF driver 10 dB protecting the voice coil from excessive power. The benefits are the driver is not turned off losing all the high frequencies, the circuit resets as soon as the high frequency content is back to normal levels.

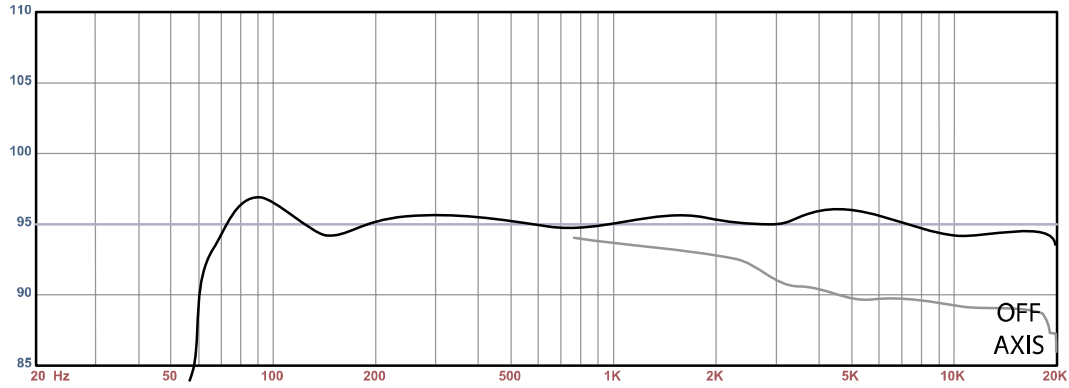


Specifications TRx12N

System Type:	12-inch 2-Way
Frequency Response:	65 Hz – 20 kHz (-10dB) 70 Hz – 18 kHz (-3 dB)
Coverage Pattern:	80 round
Crossover:	2-Way with Speaker Guard™ HF protection
Crossover Frequency:	2.5 k Hz
Power:	Continuous / Program / Peak
Full Range	300w /600w /1200w
Recommended Amplifier Power:	450 – 900w
Sensitivity (1w @ 1m):	96dB
Maximum SPL:	120dB Cont/ 126dB Peak
LF Driver:	12-inch woofer
HF Driver:	1-inch Neodymium 1.5-inch VC
Nominal Impedance full range:	8 ohms
Bi-amp LF:	8 ohms 300w /600w /1200w
Bi-amp HF:	8 ohms 60w /120w /240w
Enclosure:	13-Ply Premium Russian Baltic Birch
Suspension/Mounting:	1-3/8-inch pole mount cup
Finish:	Black DuraTex™
Transport:	1 Recessed Handle
Grill:	Black powder coated 16-Ga steel Acoustically Transparent Foam Backing
Connectors:	Two NL-4 Neutrik Speakon's
Dimensions (H x W x D):	14.5 in x 15.5 in x 19.5 in 370 mm x 395 mm x 495 mm
Net Wt:	33 lb (15 kg)

CARVIN

Frequency Response



CARVIN
TRx12N

2 WAY LOUDSPEAKER SYSTEM

FULL RANGE: 8 OHMS
300W CONTINUOUS / 600W PROGRAM / 1200W PEAK

HI FREQ BIAMP: 8 OHMS
60W CONTINUOUS / 120W PROGRAM / 240W PEAK

LOW FREQ BIAMP: 8 OHMS
300W CONTINUOUS / 600W PROGRAM / 1200W PEAK

INPUT

NL4 PINOUT

- 1+ FULL RANGE / LOW POS.
- 1- FULL RANGE / LOW NEG.
- 2+ NOT USED / HI POS.
- 2- NOT USED / HI NEG.

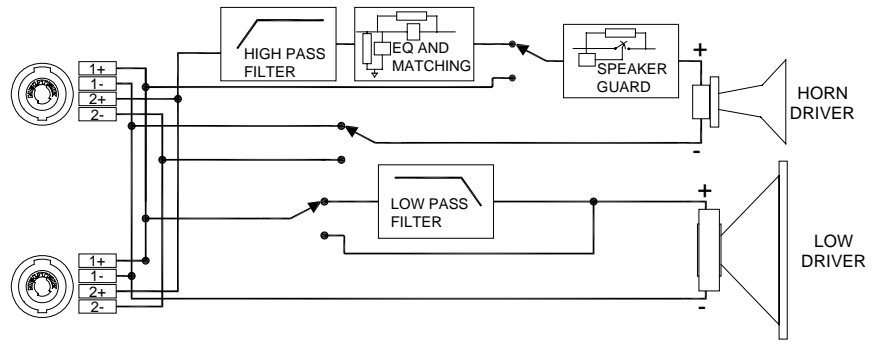
THRU

FULL RANGE

BIAMP

Serial No. [REDACTED]

MADE IN THE USA



Dimensions

