

# TRX TRx115N 15-inch 2-Way Main / Monitor

## Features

- ◆ Powerful and Compact Trapezoid design
- ◆ Monitor Cut with 38degree tilt
- ◆ Passive full range or Bi-amp crossover
- ◆ Heavy-Duty Neodymium 15-inch Woofer 3-inch VC
- ◆ Titanium 1-inch exit, 1.75-inch VC, HF driver
- ◆ Black DuraTex™ weather resistant finish

## Application

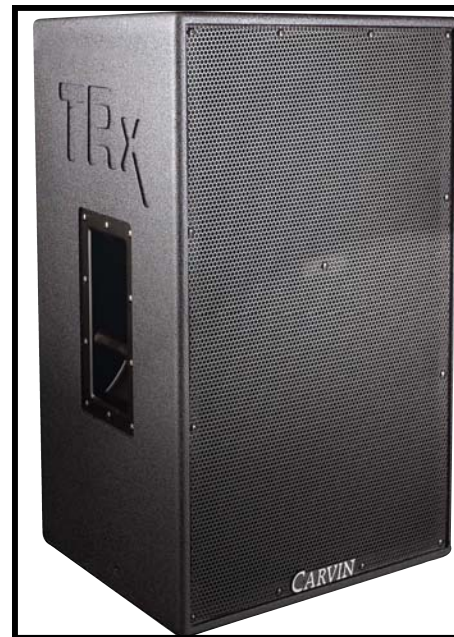
The **TRx115N** is a full range sound reinforcement main and monitor. The 15-inch woofer provides plenty of low-end to be used alone for mains. Couple the **TRx115N** with a TRx118N, for an extended low-end for front of house or high end drum monitor system. Effective for both permanent and portable applications, it comes with handles, rubber footpads, and a 1-3/8-inch pole mount cup.

Applications include:

- ◆ Club system
- ◆ House of Worship
- ◆ Band PA

## Description

The TRx115N is a trapezoidal, 2-way multi purpose Main or Monitor enclosure. The trapezoidal design and 60x40 HF horn allows multiple cabinets to work together. The high power, lightweight Neodymium 15-inch woofer features a 3-inch voice coil with a low heat high peak power capacity design that provides all the punch and definition necessary. The 38 degree tilt makes the TRx115N a powerful stage monitor from 2 to 10 feet back. The system provides 12 fly points for overhead suspension. The enclosure is constructed of CNC machined 13-Ply Premium Russian Baltic Birch with heavy gauge steel powder coated front grills. The crossover includes 4 pin NL4 Speakon connectors mounted on FR4 double sided circuit boards for solid construction and durability. Carvin's exclusive Speaker Guard™ HF Driver protection uses a self resetting relay circuit to dim the HF driver 10 dB protecting the voice coil from excessive power. The benefits are the driver is not turned off losing all the high frequencies, the circuit resets as soon as the high frequency content is back to normal levels.

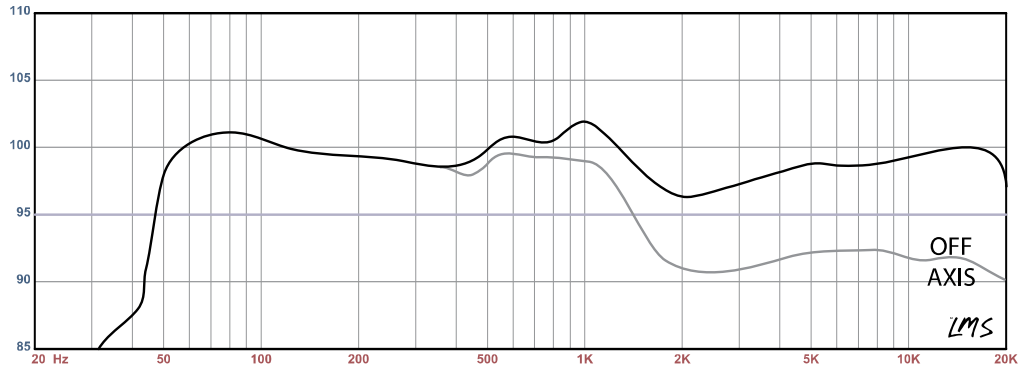


## Specifications TRx115N

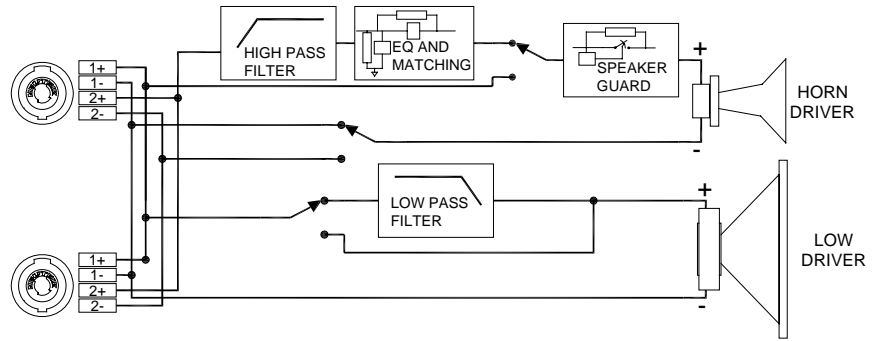
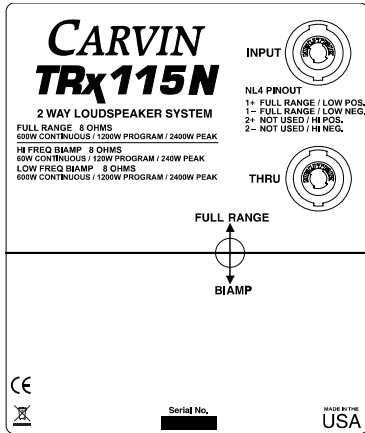
<b>System Type:</b>	15-inch 2-Way, bass-reflex
<b>Frequency Response:</b>	54 Hz – 20 kHz (-10DB) 62 Hz – 18 kHz (-3 dB)
<b>Coverage Pattern:</b>	60H x 40V
<b>Crossover:</b>	2-Way with Speaker Guard™ HF protection
<b>Crossover Frequency:</b>	2.5 kHz
<b>Power:</b>	Continuous / Program / Peak
<b>Full Range</b>	600w /1200w /2400w
<b>Recommended Amplifier Power:</b>	800 – 1600w
<b>Sensitivity (1w @ 1m):</b>	100dB
<b>Maximum SPL:</b>	128dB Cont/ 134dB Peak
<b>LF Driver:</b>	15-inch Neodymium 3-inch VC
<b>HF Driver:</b>	1-inch exit Neodymium 1.75-inch VC
<b>Nominal Impedance full range:</b>	8 ohms
<b>Bi-amp LF:</b>	8 ohms 600w /1200w /2400w
<b>Bi-amp HF:</b>	8 ohms 60w /120w /240w
<b>Enclosure:</b>	13-Ply Premium Russian Baltic Birch
<b>Suspension/Mounting:</b>	1-3/8-inch pole mount cup 12 captive 3/8in –16 nut fly points
<b>Finish:</b>	Black DuraTex™
<b>Transport:</b>	2 Recessed Handles
<b>Grill:</b>	Black powder coated steel Acoustically Transparent Foam Backing
<b>Connectors:</b>	Two NL-4 Neutrik Speakon's
<b>Dimensions (H x W x D):</b>	27 in x 19 in x 15.5 in 685 mm x 485 mm x 395 mm
<b>Net Wt:</b>	45 lb (21 kg)
<b>Rigging Accessories:</b>	TCSHK10 3/8-16 Eyebolt TCSHK15 3/8-16 Quicklink™

# CARVIN

# Frequency Response



# TRx115N Rear Plate



# Dimensions

