

# CARVIN

## PM10 10-inch

### Features

- ◆ Compact light weight Design
- ◆ Heavy-Duty 10" Woofer
- ◆ 1-inch exit (1.5" VC) HF driver
- ◆ Durable Water Resistant Enclosure

### Application

The **PM10** is designed to stand alone as a full range sound reinforcement loudspeaker for small systems. The **PM10** can be laid on it's side for a 60 degree angled stage monitor. Coupling the **PM10** with an **LS1501** 15" subwoofer results in an ideal three way system with extended low end. Effective for both portable and permanent applications, featuring a 1-3/8" pole mount cup.

Applications include:

- ◆ DJ system
- ◆ House of Worship
- ◆ Band PA
- ◆ Satellite system



### Description

The **PM10** incorporates premium components housed in a rugged water resistant enclosure, designed for crystal clear sound in small to medium size venues. The high power drivers feature large magnet structures for high efficiency producing more output per watt than systems costing two to three times more. The woofer is protected by a heavy gauge steel powder coated grill. Two combination Speakon - 1/4" input jacks allow for versatile connections and chaining of speakers. Rubber foot pads on the bottom interlock with receptacles on the top for stacking two **PM10**'s. The bottom pole mount cup offers universal mounting to pole stands and mounts.



10" WOOFER



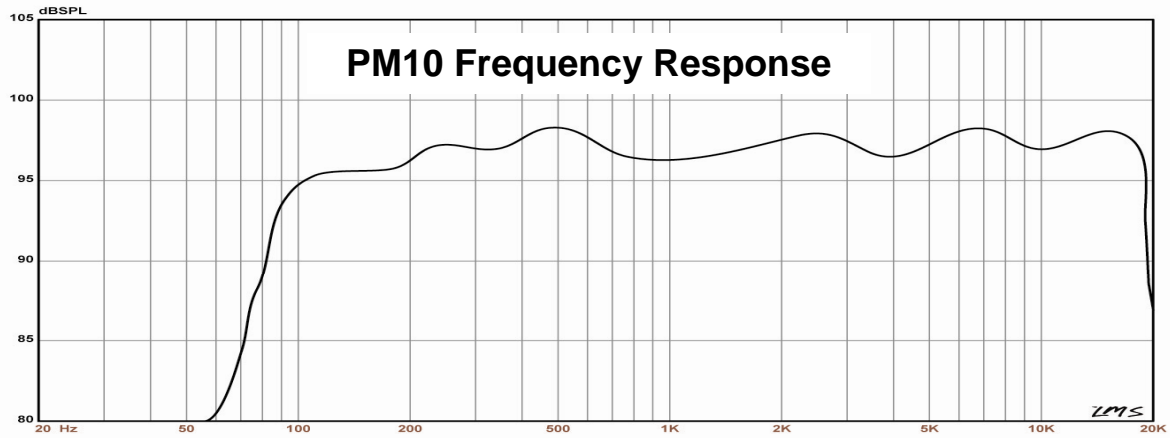
TITANIUM  
HF DRIVER

### Specifications PM10

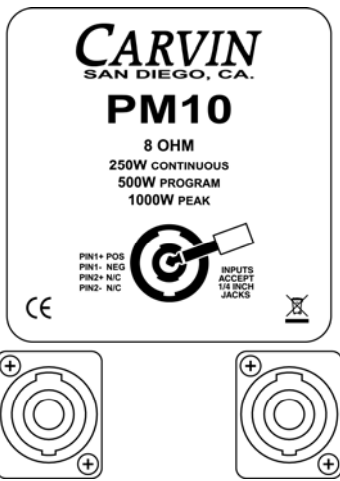
System Type:	10-inch 2-Way, bass-reflex
Frequency Response:	72 Hz – 18 kHz (-10DB) 88 Hz – 17 kHz (-3 dB)
Coverage Pattern:	90H x 30upV x 45downV
Crossover:	2-Way
Crossover Frequency:	3 kHz
Power:	Continuous / Program / Peak
Full Range	250w / 500w / 1000w
Recommended Amplifier Power:	100w – 400w
Sensitivity (1w @ 1m):	96.5dB
Maximum SPL:	120dB / 126dB peak
LF Driver:	10-inch Woofer
HF Driver:	1-inch exit 1.5-inch VC Titanium Driver
Nominal Impedance full range:	8 ohms
Enclosure:	Molded Plastic
Suspension/Mounting:	1-3/8-inch pole mount cup with clamp
Transport:	1 side handle
Grill:	Black steel
Connectors:	2 combo Speakon - 1/4 inch jacks
Dimensions (H x W x D):	502 mm x 356 mm x 273 mm 19.75 in x 14 in x 10.75 in
Net Wt:	12 kg (26 lb)
Optional Accessories:	CVL10 cover SS20 adjustable floor stand SS10 wall mount LS1501 sub with SS4 adj. pole SS5 dual pole mount

Front side LED is for active powered version.

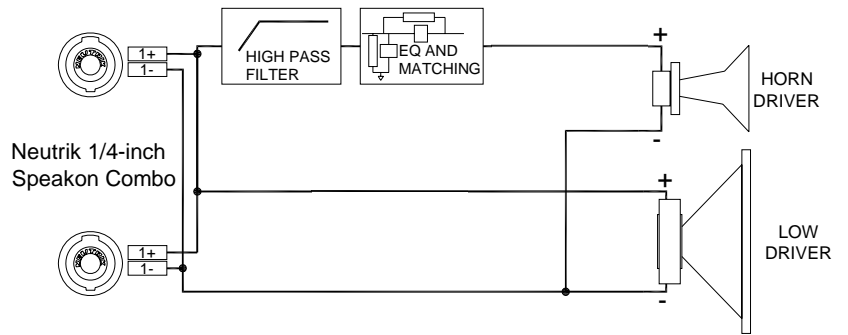
# CARVIN



### Rear Panel



### Block Diagram in Full Range Mode



### PM10 Dimensions

