

GENERAL

The CM50 is Carvin's entry level vocal mic. It is designed mainly for vocals, however, it can easily double for micing guitar amps or drums (excluding kick drum). Features a convenient on/off switch for reducing noise and feedback when not in use. Unidirectional with a cardioid polar pattern. Built in foam wind screen for pop, breath, and wind noise rejection.

Microphone Features:

- Bright, clean sound. Especially good for announcing, narration and dialogue, vocal music, and rhythm pickups
- Wind and "pop" filter readily removable for cleaning or replacement
- Unusually effective cardioid pickup pattern to minimize background noise and undesirable effects of studio and location acoustics. Rear and side rejection uniform to very low frequencies and completely symmetrical about microphone axis
- Self-contained spherical filter to control explosive breath sounds ("pop") and wind noise in outdoor locations
- Cartridge shock-mounted for protection and quiet operation
- On/Off switch

SPECIFICATIONS

Type

Dynamic

Frequency Response

50 to 15,000HZ

Output Level (at 1,000 Hz, 600 ohms)

Open Circuit Voltage*
-72 dB, (0.19 mV)

Cable

CM50: 6.0m (20 ft) three-conductor shielded broadcast type with 3-socket professional audio connector*

Case

Dark grey powder coat die casting and dark grey powder coat steel mesh grille

Swivel Adapter

Slip-in positive-action, adjustable from 0° to 90°, with standard 5/8"-27 thread

Net Weight (less cable)

8.5 oz.

* To mate with Cannon XL series, Switchcraft A3 (Q.G.) series or equivalent connector

Polar Pattern

Cardioid — rotationally symmetrical about microphone axis, uniform with frequency (see Figure 2)

MODEL CM50



UNIDIRECTIONAL DYNAMIC MICROPHONE

ARCHITECT'S SPECIFICATIONS

The microphone shall be a moving coil (dynamic) type with a frequency response of 50 to 15,000 Hz. The unit shall have a cardioid polar characteristic. The cancellation at the sides shall be approximately 5 dB, and the cancellation at the rear shall be 15 to 20 dB. The microphone shall have a rating impedance of 600 ohms.

The microphone connector shall be a 3-pin professional audio type designed to mate with Cannon XL series, Switchcraft A3 (Q.G.) series or equivalent connector. The microphone shall be provided with a swivel adapter adjustable through 90° from vertical to horizontal. The adapter will mount on a stand having a 5/8" - 27 thread. The overall dimensions of the microphone shall be 130 mm in length and 53 mm in diameter.

The microphone shall be the Carvin CM50 or equivalent.

TYPICAL FREQUENCY RESPONSE

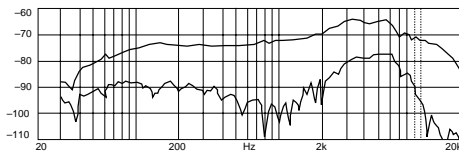
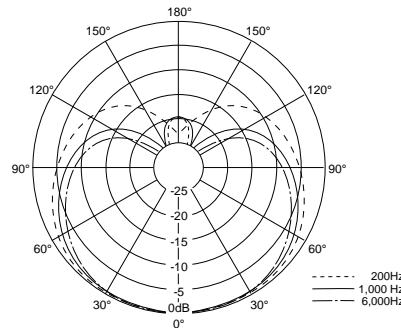


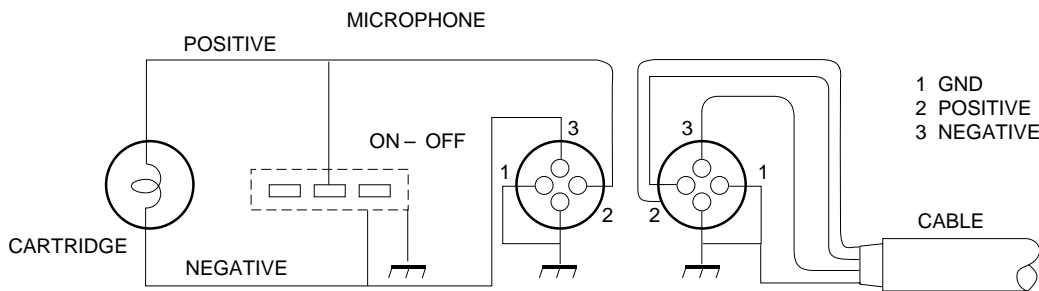
FIGURE 1



TYPICAL POLAR PATTERNS

FIGURE 2

INTERNAL CONNECTIONS



GUARANTEE

This Carvin product is guaranteed in normal use to be free from electrical and mechanical defects for a period of one year from date of purchase. Please retain proof of purchase date. This guarantee includes parts and labor.

This guarantee is in lieu of any and all other guarantees or warranties, express or implied, and there shall be no recovery for any consequential or incidental damages.

SHIPPING INSTRUCTIONS

Carefully repack the unit, have it insured, and return it prepaid to:

Carvin Corp.
Attention: Service Department
12340 World Trade Drive
San Diego, CA 92128

